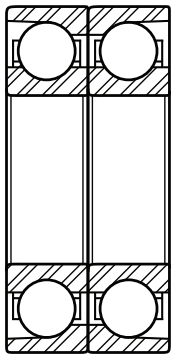
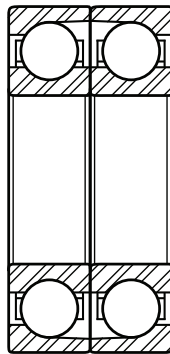


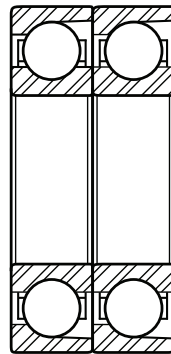
7900 Series – Spindle Bearings Pairs



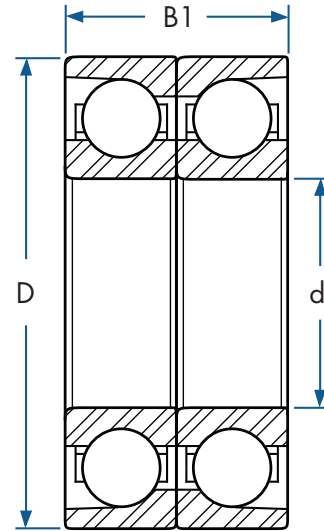
BACK TO BACK



FACE TO FACE



TANDEM



Bearing Size	Dimensions (mm)			Duplex Load Rating (lbs)		Duplex Limiting Speeds (RPM)	
				Dynamic	Static	Grease	Oil
	d	D	B	Cr	Cor		
7905 CTBP4DUL	25	42	18	2,986	2,608	25,600	38,400
7906 CTBP4DUL	30	47	18	3,023	2,832	22,400	34,400
7907 CTBP4DUL	35	55	20	5,171	4,900	19,200	30,400
7908 CTBP4DUL	40	62	24	5,281	5,306	17,600	28,800
7909 CTBP4DUL	45	68	24	5,354	5,664	15,200	25,600
7910 CTBP4DUL	50	72	24	5,463	6,024	14,400	24,000
7911 CTBP4DUL	55	80	26	6,738	7,598	12,800	20,800
7912 CTBP4DUL	60	85	26	7,065	8,362	12,000	19,200
7913 CTBP4DUL	65	90	26	7,175	8,768	11,200	17,600
7914 CTBP4DUL	70	100	32	8,704	10,836	10,400	16,000
7915 CTBP4DUL	75	105	32	10,671	13,622	9,600	15,200
7916 CTBP4DUL	80	110	32	12,565	16,186	9,600	15,200
7917 CTBP4DUL	85	120	36	14,567	18,974	8,800	14,400
7918 CTBP4DUL	90	125	36	14,786	19,828	8,000	13,600
7919 CTBP4DUL	95	130	36	15,004	20,546	7,600	12,800
7920 CTBP4DUL	100	140	40	18,787	25,312	7,200	12,000
7921 CTBP4DUL	105	145	40	19,119	26,392	6,800	11,200
7922 CTBP4DUL	110	150	40	19,411	27,380	6,400	10,400
7924 CTBP4DUL	120	165	44	24,509	35,204	5,600	8,800